





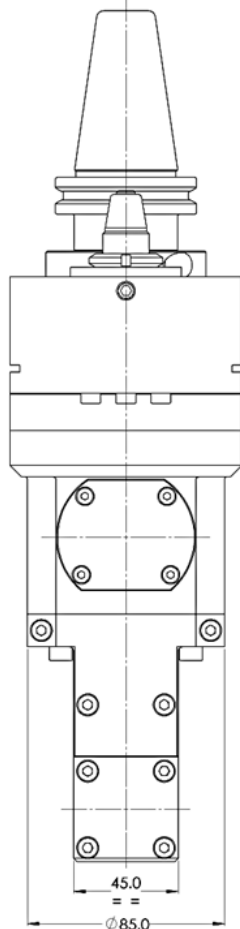
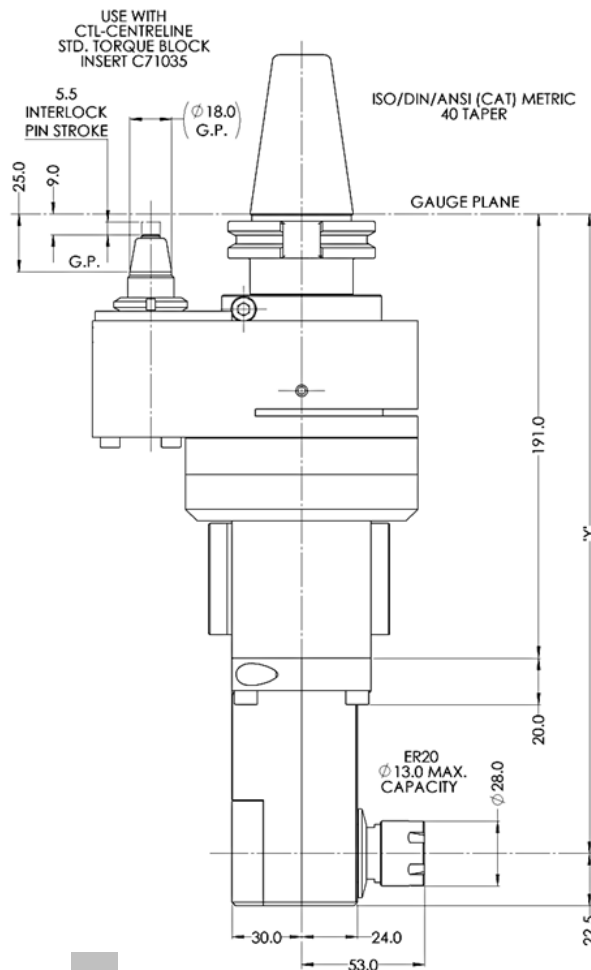
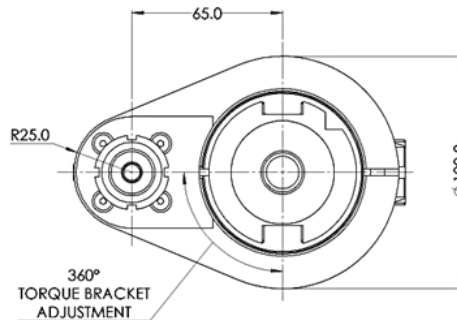
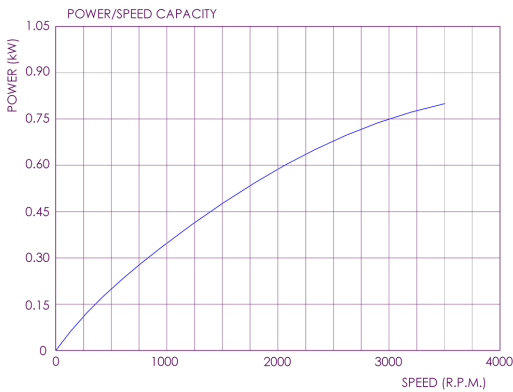
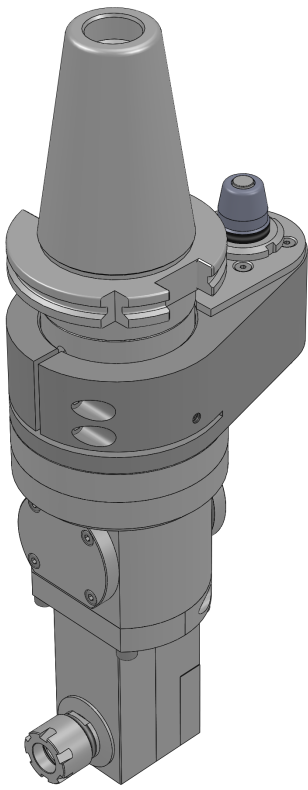


RAD 190 - 20 Modular 90° Angle Head

190

Technical Data

	ER20 —13mm / M10
	Max. 3,500rpm Speed ratio 1.25 : 1
	Max. @ 3,500rpm 0.81kW
	Max. @ 100rpm 48Nm
	(Without tools) See Table
	Input Opposite to Output

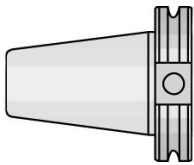


See table on page 35 for available gauge

190 Series Modular Slimline 90° Angle Heads

190

- Interchangeable length and collet size modules all on a common drive module
- ER11 (7mm Cap.), ER16 (10mm Cap.) or ER20 (13mm Cap.) Collet Sizes
- Double Output modules available on request
- 360° adjustability
- Maintenance free sealed design. Grease lubricated



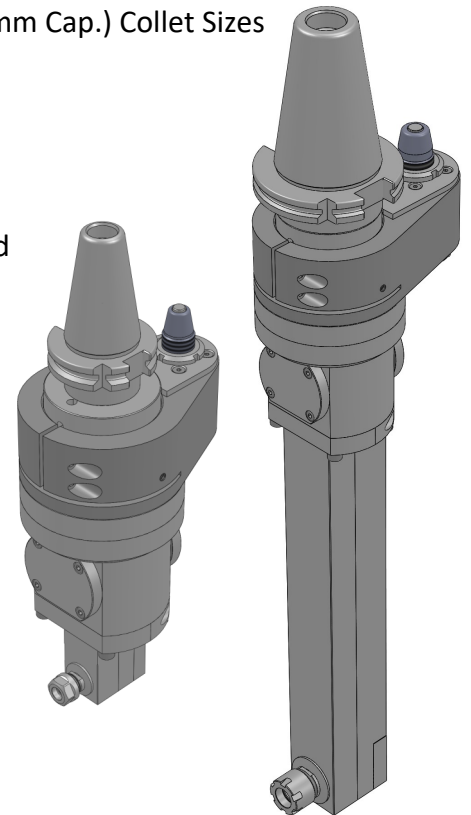
Available drive Tapers:

BT40—BT50

CAT40—CAT50 (DIN / ANSI / SK)

HSK63A, HSK80A, HSK100A

(Other options available on request)



Increment	RAD190-11		RAD190-16		RAD190-20	
	Gauge Length -Y-	Weight (kg)	Gauge Length -Y-	Weight (kg)	Gauge Length -Y-	Weight (kg)
- 00	230.0mm	8.15	236.0mm	8.75	245.0mm	9.4
- 01	250.0mm	8.4	260.0mm	9.05	275.0mm	9.9
- 02	270.0mm	8.65	284.0mm	9.35	305.0mm	10.4
- 03	290.0mm	8.9	308.0mm	9.65	335.0mm	10.9
- 04	310.0mm	9.15	332.0mm	9.95	365.0mm	11.5
- 05	330.0mm	9.4	356.0mm	10.25	395.0mm	12.0
- 06			380.0mm	10.55	425.0mm	12.5
- 07			404.0mm	10.85	455.0mm	13.1
- 08					485.0mm	13.6
- 09					515.0mm	14.1