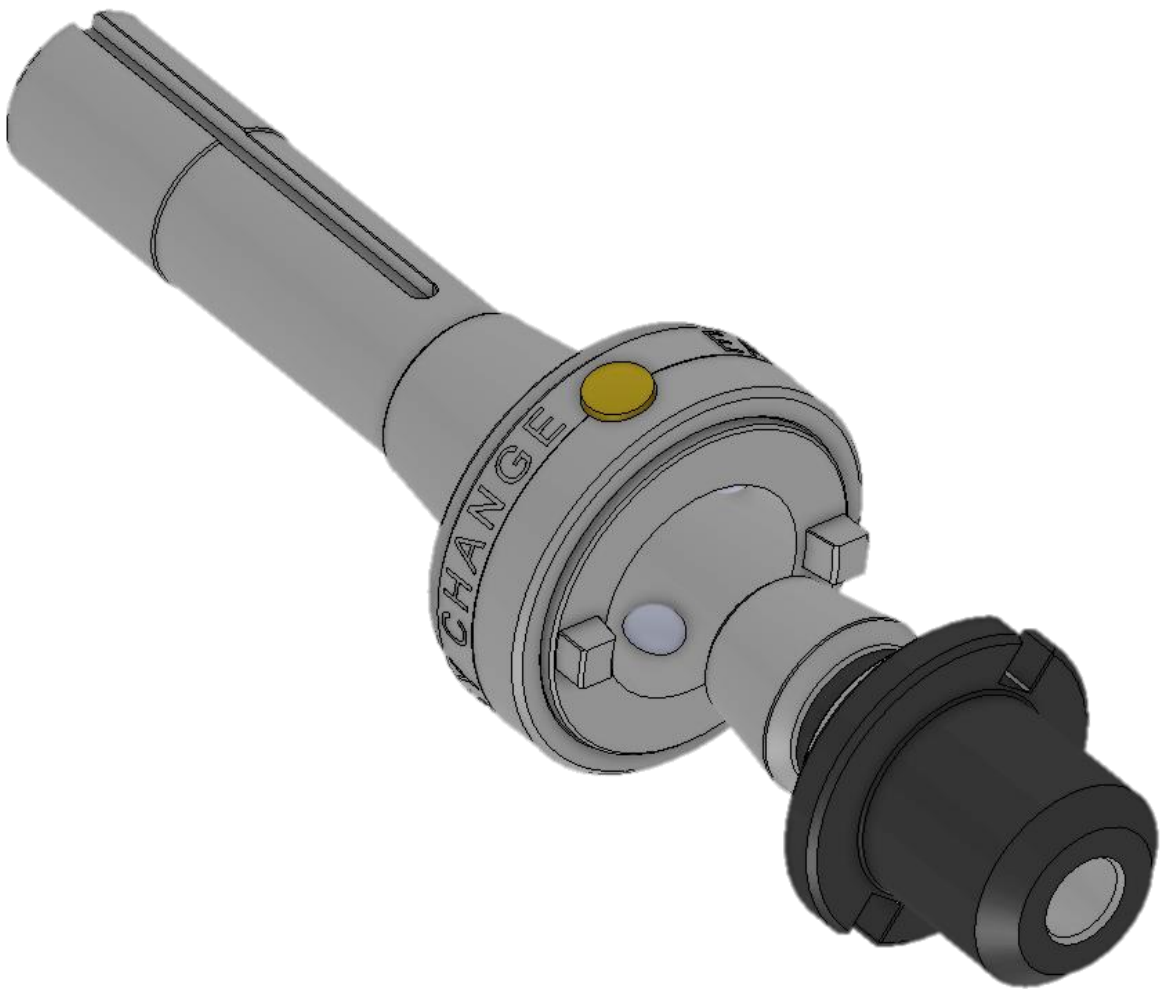


EASYCHANGE TOOLHOLDING SYSTEM



PRODUCT	PAGE
EASYCHANGE DESCRIPTION	3
EASYCHANGE METHOD	4
EASYCHANGE BASIC HOLDER	5
ER SINGLE ANGLE COLLET CHUCK	5
DA DOUBLE ANGLE COLLET CHUCK	5
END MILL / SIDELOCK ADAPTOR	6
FACE MILL / SHELL MILL ADAPTOR	6
MORSE TAPER ADAPTOR (TANG TYPE)	7
JACOBS DIN238 ADAPTORS	7
GREENSTOCK BAR BLANKS	7
TIGHTENING FIXTURE	8
BORING HEAD ADAPTOR	8
EASYCHANGE TRAY	8
SPECIALS / EASYCHANGE REPAIR	9
EASYCHANGE ACCESSORIES / SPARES	10-11



Toolchange in 2 seconds

No spanner required

Fits directly into the machine spindle without modification

Short overhang for greater rigidity

Full range of adaptors available

Adaptors have taper location and solid drive for accuracy and strength

Other machine fittings available

Easychange is simple accurate and robust with the added advantage of allowing tools to be pre-set to length which increases productivity on repeat operations. Its short overhang also means no significant loss of capacity or machine performance.

Coventry Toolholders offer various machine fittings for R8, ISO30, ISO40, Morse Taper and Straight Shank Manual machines.

The Easychange makes for a rapid change over between tools in seconds and no spanner or key is needed as it locks fully automatically the moment the tool holder is loaded with very little clearance needed between the tool and the work piece

The Easychange also protects the machine spindle from wear associated with constant tool changing as it can be left in place.

Easychange is ideal for c/drill and tapping applications where a quick changeover is essential.

Product specifications:

Accuracy within 15µm

Max. speed 3000 RPM

Max. load should not exceed 1.0 HP (0.74 kW) with lock-screw in operation.

2 SECOND TOOL CHANGE TIME ON A MANUAL MACHINE

COVENTRY TOOLHOLDERS 'EASY CHANGE' Tooling System

- Spindle Adapters for R8, Morse Taper, ISO30, ISO40 and Straight Shank
- Full Range of Toolholders - Collet (ER, DA), End Mill, Shell Mill, Drill Chucks, Morse Taper
- Short overhang – high accuracy
- Proven System Thousands sold worldwide



1. Load R8 Master holder to machine spindle and set collar to open position.



2. Insert tool and collar automatically returns to closed position and locks.



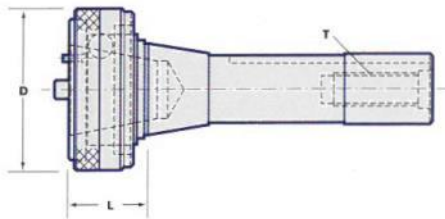
3. Remove tool with one hand by twisting collar to release tool



4. Load new tool as before in seconds.

Contact us on 02476645999 or info@coveng.co.uk for details and prices.

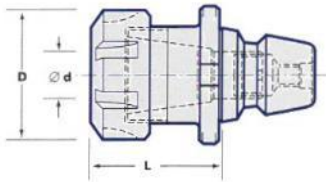
Easychange Basic Holder



Part No	Machine Connection	D	L	T
R8-EC-027	R8	60	27	7/16 UNF
QC30-EC-060	ISO30	60	60	M12
QC40-EC-049	ISO4	60	50	M16
QC40I-EC-050	ISO40	60	50	5/8 UNC
MT3-EC-051	3 MORSE	60	51	TANG
SS320-EC-027	32MM S/S	60	27	
SSi1250-EC-027	1 1/4" S/S	60	27	

Note: Special machine interfaces can be made available on request.
Please call our Sales Office with your requirements

ER Single Angle Collet Chucks



Part No	Capacity	D	L
EC-ER16-040	1-10	40	28
EC-ER20-040	1-13	40	34
EC-ER25-045	1-16	45	42
EC-ER32-050	2-20	50	50

Spanners and collets available on Accessories Page

DA Double Angle Collet Chucks

Fig 1

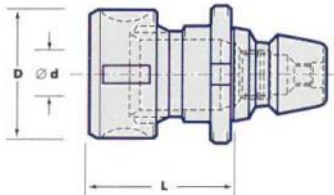
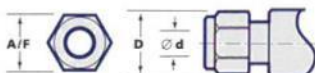
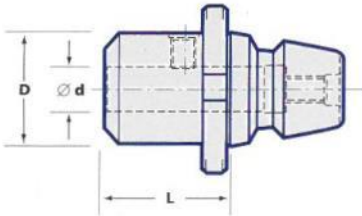


Fig 2



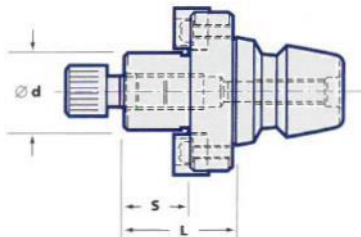
Part No	Capacity	D	L	A/F
EC-DA208-041	1-10	41	27	24
EC-DA188-049	3-20	49	43	
EC-DA189-US	3-20			

End Mill / Sidelock Adaptors



Part No	Bore Size	D	L
EC-EM06-035	6	30	35
EC-EM10-035	10	30	35
EC-EM12-035	12	30	35
EC-EM16-035	16	30	35
EC-EM20-055	20	45	55
EC-EM25-075	25	55	75
EC-EMI0125-035	1/8"	19	35
EC-EMI0187-035	3/16"	19	35
EC-EMI0250-035	1/4"	19	35
EC-EMI0375-035	3/8"	26	35
EC-EMI500-035	1/2"	32	35
EC-EMI0625-040	5/8"	41	35
EC-EMI0750-055	3/4"	46	35
EC-EMI1000-075	1"	51	75

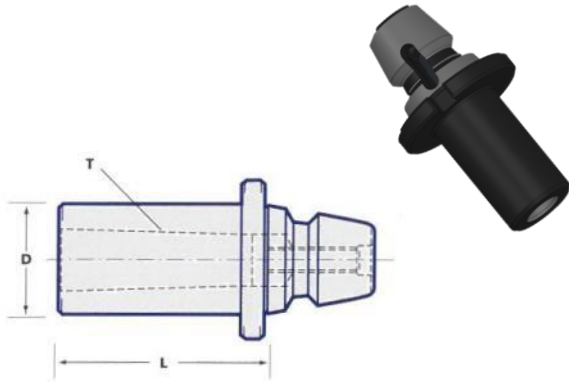
Face Mill / Shell Mill Adaptors



Part No	d	D	L	S
EC-SM16-015	16	44	14	17
EC-SM22-015	22	50	14	19
EC-SMI0500-014	1/2"	32	14	15
EC-SMI0750-015	3/4"	44	14	18

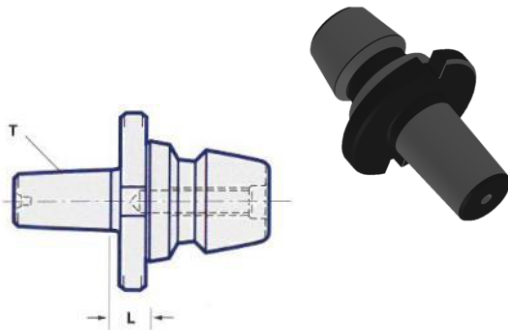
Spanners and collets available on Accessories Page

Morse Taper Adaptor (Tang Type)



Part No	Morse Taper	D	L
EC-MT1-051	1	25	51
EC-MT2-062	2	32	62
EC-MT3-117	3	40	117

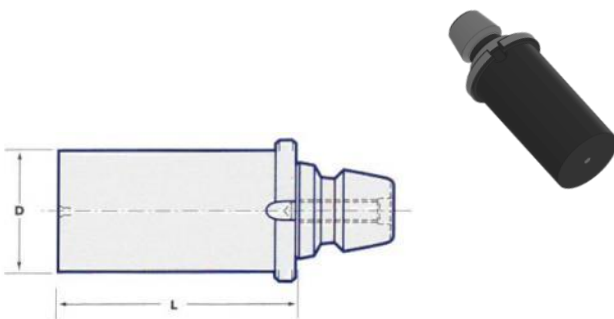
Jacobs / DIN 238 Adaptors



Part No	Jacobs Taper	L
EC-JT2-010	2	10
EC-JT3-011	3	11
EC-JT33-010	33	10
EC-JT6-010	6	10

Drill Chucks available from Accessories Page

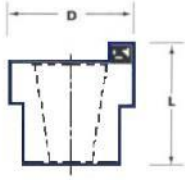
Greenstock Bar Blanks



Part No	D	L
EC-BB-040-080	40	80
EC-BB-040-120	40	120

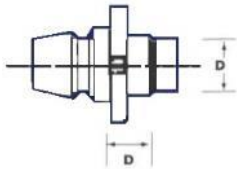
Hardened Taper – Soft Body to make Special Holders

Tightening Fixture



Part No	D	L
TF-EC	58	58

Boring Head Adaptor



Part No	D	L
EC-CBI0875-015	7/8" X 20	15

Easychange Tray



Part No
TS-ECTRAY

Specials



Not in the standard Easychange range?

Please contact us to discuss the design and manufacture of any special Master Adaptor to suit a machine interface, or Interchangeable Adaptor for tool holding based on the Easychange range.

Service / Repair

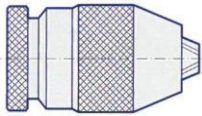


A service / repair facility is offered on Easy change products.

Should you require to use this service, simply return the unit to us with a brief overview of the problem.

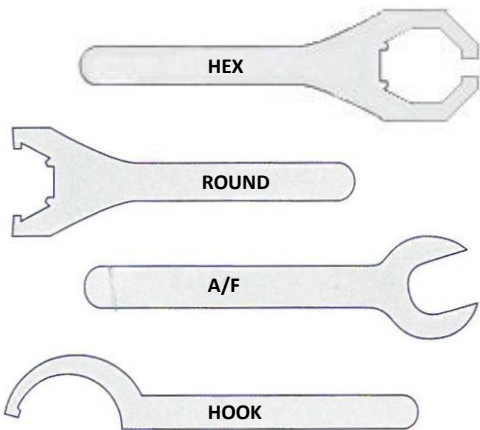
Please enclose company details and contact name, so we may advise the results of component inspection and work required.

Spares & Accessories – Keyless Chucks



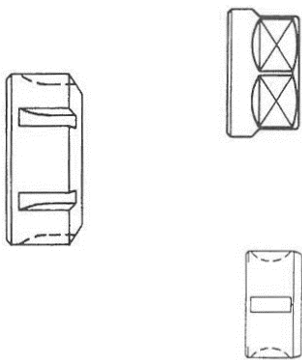
	Part No	Description	Size
	KDC-010-J33	DRILL CHUCK	0-10mm
	KDC-113-J33	DRILL CHUCK	1-13mm
	KDC-113-J6	DRILL CHUCK	1-13mm
	KDC-316-J6	DRILL CHUCK	3-16mm

Spares & Accessories – Spanners



Part No	Description	Size
SP-ER16	SPANNER (HEX)	ER 16 LOCKNUT
SP-ER20	SPANNER (HEX)	ER 20 LOCKNUT
SP-ER25	SPANNER (ROUND)	ER 25 LOCKNUT
SP-ER32	SPANNER (ROUND)	ER 32 LOCKNUT
SP-24	SPANNER (24A/F FLAT)	DA 208 LOCKNUT
SP-36M	SPANNER (36A/F FLAT)	DA 189 LOCKNUT
SP-C45	SPANNER (HOOK)	DA 188 LOCKNUT

Spares & Accessories - Locknuts



Part No	Description	Size
LN-ER16HEX	ER HEXAGON LOCKNUT	ER16 COLLET CHUCK
LN-ER20HEX	ER HEXAGON LOCKNUT	ER20 COLLET CHUCK
LN-ER25	ER LOCKNUT	ER25 COLLET CHUCK
LN-ER32	ER LOCKNUT	ER32 COLLET CHUCK
LNA-208	DA LOCKNUT	DA COLLET CHUCK
LNA-188	DA LOCKNUT	DA COLLET CHUCK
LNA-189	DA LOCKNUT	DA COLLET CHUCK (IMP)

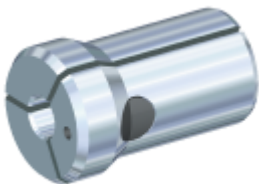
Spares & Accessories – ER Collets



Part No	Description	Size Range
ER16-***M	ER COLLET	1-10mm
ER20-***M	ER COLLET	1-13mm
ER25-***M	ER COLLET	1-16mm
ER32-***M	ER COLLET	2-20mm

Note – When ordering, please use the following code format. e.g. for ER16 5mm collet the code would be ER16-050M

Spares & Accessories – DA Collets



Part No	Description	Size Range
200DA-***M	DA COLLET	1-10mm
180DA-***M	DA COLLET	3-20mm

Note – When ordering, please use the following code format. e.g. for 200DA 5mm collet the code would be 200DA-050M

High Performance Toolholders

Coventry Toolholders offer a range of high performance toolholders to enhance cutting tool performance.



Range available - Taper Types - BT MAS403, SK/DIN69871, HSK and Polygon
Taper High performance toolholders are balanced to G2.5@25,000

Toolholders for Turning Machines

VDI Static Tooling. (DIN 69880, VDI 3425)



A complete range of precision tooling systems to suit VDI (DIN 69880-1, VDI3425) type machines with shank sizes VDI 20, 25, 30, 40, 50, 60.

The chucks are complemented by a full range of accessories such as collets, spanners, bushes etc.

Driven Tool Holders for CNC Turning Centres.

A complete range of precision standard and bespoke tooling systems to suit the majority of driven toolholder type machines.

The range covers axial and radial type toolholders for both face and peripheral mount type turrets. As well as the standard DIN couplings more specialised interfaces for machines such as Mori Seiki, Mazak, Okuma and Haas are also available. A range of driven toolholders with a quick change front end tooling system is also available.



ISO 26623-1 Polygon Taper Toolholders

Toolholders are manufactured to the ISO 26623-1 standard and are compatible with all machines with polygon style spindle tapers. Made from high grade steel hardened to 58HRC quality and durability is assured.



Taper sizes P3, P4, P5, P6, P7, P8.

High performance toolholders are balanced to G2.5@25,000

Toolholders for Vertical Turning Machines

Block Type Toolholders

Block type toolholders available in a range of gauge lengths and square shank tool sizes to suit Hankook, You-Ji, Toshiba, Massa and Yu-Shine machines.



Boring Bar type Toolholders

Available in varying gauge lengths to suit square shank tooling and cylindrical boring bars.



Modular type Toolholders

Enables the clamping of modular tooling systems. This allows flexibility in cutting tool choice and reduces set up time. Capto, KM, HSK and many other modular type systems are available.



DIN 69893 HSK 'T' ICTM Tolerance

Toolholders manufactured to the ICTM HSK 'T' standard have repeatability within +/- 0.005mm following a toolchange cycle. This is critical when machining requires the cutting tool to be aligned on centre. Made from high grade steel hardened to 58HRC.



Range available - Taper sizes HSK40, 50, 63, 100

Various styles of Tip Pocket Toolholders, Blanks for custom tool manufacture

Boring Bar Holders, Square Shank Toolholders, Turret and Straight Shank Clamping Units

